

ISE3010D Series Unmanaged Industrial Ethernet Switch

Key Features:



- ☑ IP40 protection class, fully enclosed metal cabinet
- ☑ Exceeds Industrial class III specifications
- ☑ Plug and play
- ☑ Wide operating temperature : -40~+85 °C
- ☑ Wide voltage input, 2x24VDC(12~48VDC)
- ☑ Support relay alarm output
- ☑ DIN- Rail or wall mounting options

Product Overview

ISE3010D series products are 10-port DIN-Rail Unmanaged Industrial Ethernet Switch designed for applications in electric power, transportation, and industrial control and other severe industrial environment. It integrates high-standard wide-range temperature and voltage design, enterprise-class forwarding performance, strong cabinet, protected industrial circuit and other industrial features, is capable of plug and play, and can satisfy reliability requirement under harsh industrial environment.

Product Features

☞ Proven dependable industrial quality

- ☑ Fault-free and reliable operation in applications such as: electric power stations, transportation, industrial control environments, and SCADA systems.
- ☑ Excellent electromagnetic/radiation/electrostatic protection capacity and zero packet loss under intensive electromagnetic interference
- ☑ Excellent EMC/EMI and anti-radiation performance
- ☑ Real industrial-class design, with working temperatures at -40~85 °C
- ☑ Redundant power input and industrial-class surge protections

- ☑ Tough metal cabinet with corrosion-proof coating
- ☑ IP40 seal protection: dust proof, stain proof and debris proof

☞ **Simple and easy to use**

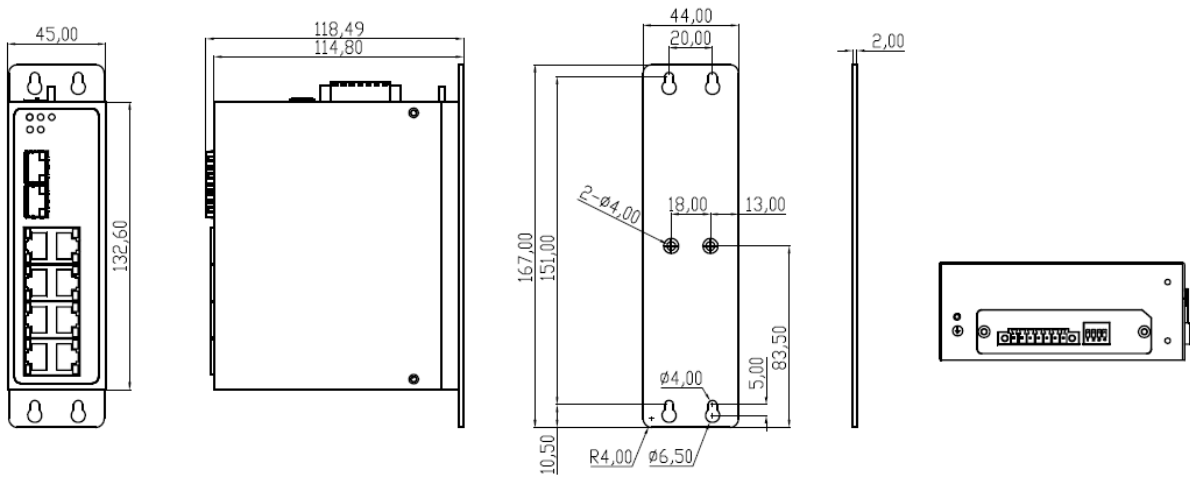
- ☑ Plug-and-play functionality for rapid deployment
- ☑ Linear data forwarding to ensure real time performance
- ☑ Compatible with industrial DIN-rails or available with an optional wall-mounting kit
Supports IEEE 802.3x flow control and backpressure type flow controls to guarantee data integrity.
- ☑ Latency under 3 μ s, satisfying the real time performance requirements of a production environment.

Product Specification

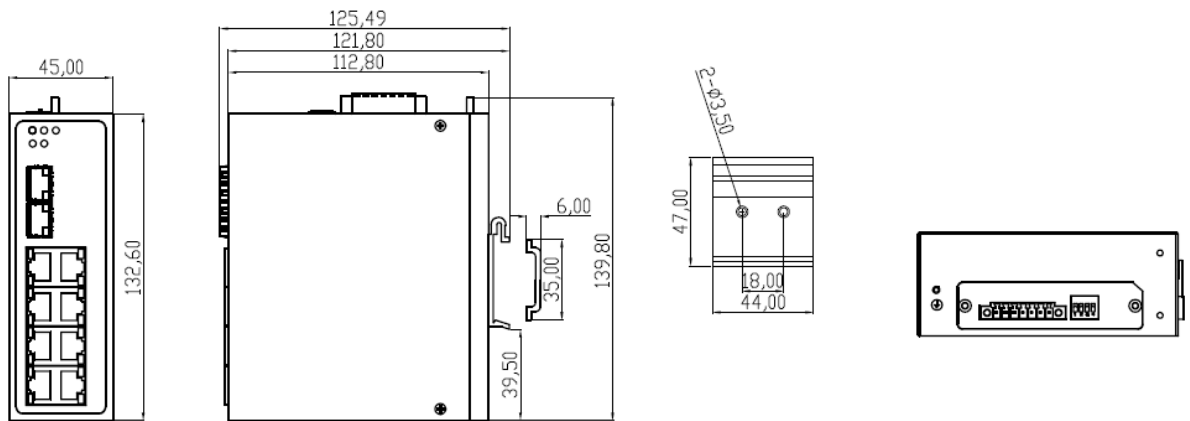
Item		ISE3010D
Interface	RJ45 port	10/100Base-T(X) auto-sensing RJ45 port, Support full dual/half dual and MDI/MDI-X self adaptive
	FX optical port	100Base-FX port (SC/ST/FC port)
	GX optical port	1000Base-SFP slot
	LED indication	PWR1,PWR2,STAT,FAULT,FX , GX
Mechanical structure	Housing	IP40 protection class, fully enclosed and seamless type metal cabinet, PCB protection coating available
	Dimensions (W×H×D)	45mm×132.6mm ×112mm
	Weight	0.6 kg
	Heat dissipation mode	Fanless heat dissipation
	Installation mode	DID-rail and wall mounting (kit optional)
	MTBF	35 years
Power source	Input voltage	24VDC(12~48VDC), support redundant input
	Interface terminal	7-pin pluggable screw connection terminal
	Overload protection	Available
	Reverse polarity protection	Available
	Power consumption	<7.1W
Working environment	Working temperature	-40 ~ +85 °C

Item		ISE3010D
	Storage temperature	-40 ~ +85 °C
	Relative humidity	5%~95% (no condensing)
Switching performance	Forwarding inherent time delay	<4μs
	Backplane bandwidth	5.6Gbps
	MAC address table	8k
	Data package buffer	1Mbit
Function features	Ethernet standard	IEEE 802.3 for 10Base-T
		IEEE 802.3u for 100Base-T(X)and 100Base-FX
		IEEE 802.3x for flow control
		IEEE 802.3ab for 1000BaseT(X)
		IEEE 802.3z for 1000BaseX
	Port flow control	Support IEEE 802.3 x flow control and backpressure type flow control, capable of enabling/disabling flow control via dip switch
	Relay alarm output	Rated control capacity: 2A@30V DC
		Maximum allowable power: 60W
		Maximum allowable voltage: 220V DC Maximum allowable current: 2A DC
	Dip switch	Support enabling/disabling of broadcast storm protection via hardware dip switch, flow control and port connection interruption alarm;
Industrial standard	Electromagnetic compatibility	IEC 61000-4-2(Electrostatic discharge) level 3
		IEC 61000-4-3(Radiated, radio-frequency, electromagnetic field) level 3
		IEC 61000-4-4(Electrical fast transient/burs) level 3
		IEC 61000-4-5(surge) level 3
		IEC 61000-4-6(Immunity to conducted disturbances, induced by radio-frequency fields) level 3
		IEC 61000-4-8(Power frequency magnetic field) level 4
	Impact	IEC60068-2-27
	Freefall	IEC60068-2-32
	Vibration	IEC60068-2-6
Certifications		CE, FCC, UL, RCM
Warranty		5 years

Dimensions



Wall Mount



DIN-Rail Mount

Ordering Information

1. Product Ordering Information

Product Model	Port				
	10/100 Base-TX	100BaseFX(SC/ST/FC)			SFP slot
		Multimode dual fiber	Single mode dual fiber	Single mode single fiber	
ISE3010D-8T-2GSFP-24	8	-	-	-	2
ISE3010D-4T-2GSFP-4M-24	4	4	-	-	2
ISE3010D-4T-2GSFP-4S-24	4	-	4	-	2
ISE3010D-4T-2GSFP-4B-24	4	-	-	4	2
ISE3010D-4T-2GSFP-2S-2M-24	4	2	2	-	2
ISE3010D-4T-2GSFP-2B-2M-24	4	2	-	2	2

Note:

- Multimode double fiber supports 2km; single mode double fiber support 20/40/80/120KM; single mode single fiber supports 20/40/60/80/120KM
- Power supply default is DC24V low-voltage

2. SFP optical module ordering information

Name	Description
SFP-GT-RJ45	Electrical module-SFP-GT-(RJ45)
SFP-GX-SXM8-LC	optical module-SFP-GX-multimode module-(850nm,0.5km,LC)
SFP-GX-SXM3-LC	optical module-SFP-GX-multimode module-(1310nm,0.5km,LC)
SFP-GX-LXS3-LC	optical module-SFP-GX-single mode module-(1310nm,10km,LC)
SFP-GX-LXS5-LC	optical module-SFP-GX-single mode module-(1550nm,10km,LC)
SFP-GX-LH40S3-LC	optical module-SFP-GX-single mode dual fiber-(1310nm,40km,LC)
SFP-GX-LH40S5-LC	optical module-SFP-GX-single mode dual fiber-(1550nm,40km,LC)
SFP-GX-LH80S5-LC	optical module-SFP-GX-single mode dual fiber-(1550nm,80km,LC)
SFP-GX-LH100S5-LC	optical module-SFP-GX-single mode dual fiber-(1550nm,100km,LC)
SFP-GX-SXB35-LC	optical module-SFP-GX-single mode single fiber-(TX1310/RX1550nm,0.5km,LC)
SFP-GX-SXB53-LC	optical module-SFP-GX-single mode single fiber-(TX1550/RX1310nm,0.5km,LC)
SFP-GX-LXB35-LC	optical module-SFP-GX-single mode single fiber-(TX1310/RX1550nm,10km,LC)
SFP-GX-LXB53-LC	optical module-SFP-GX-single mode single fiber-(TX1550/RX1310nm,10km,LC)

Name	Description
	fiber-(TX1550/RX1310nm,10km,LC)
SFP-GX-LH40B35-LC	optical module-SFP-GX-single mode single fiber-(TX1310/RX1550nm,40km,LC)
SFP-GX-LH40B53-LC	optical module-SFP-GX-single mode single fiber-(TX1550/RX1310nm,40km,LC)
SFP-GX-LH80B45-LC	optical module-SFP-GX-single mode single fiber-(TX1490/RX1510nm,80km,LC)
SFP-GX-LH80B54-LC	optical module-SFP-GX-single mode single fiber-(TX1550/RX1490nm,80km,LC)
SFP-GX-LH100B45-LC	optical module-SFP-GX-single mode single fiber-(TX1490/RX1550nm,100km,LC)
SFP-GX-LH100B54-LC	optical module-SFP-GX-single mode single fiber-(TX1550/RX1490nm,100km,LC)

InHand Networks

InHand Networks provides reliable, secured and intelligent M2M solution for electric power, industrial automation, commercial and medical devices. Recognized by world class customers and partners. Proven by a large install base. Expanding with intensive investments in research and development. Enduring for long-term support.

InHand Networks has become leader in industrial grade network technology by providing industrial cellular routers, industrial Ethernet switches, wireless sensor network devices and cloud based M2M platforms.

Connecting devices, enabling services.



InHand Networks

3900 Jermantown Rd., Suite 150
Fairfax, VA 22030
USA
T: +1-703-348-2988
F: +1-703-348-2988
info@inhandnetworks.com

www.inhandnetworks.com