

InSwitch ISE Series5005D

Gigabit Unmanaged Ethernet Switch



- 5 1000 Mbps Gigabit Ethernet Interfaces
- Simple plug and play installation
- Jumbo frames and flow control
- IP40 protection class, fully enclosed metal cabinet
- -40 to +85°C operating temperature range
- Wide voltage range design, redundant dual power input
- UL508 certified

Product Overview

The ISE5005D is a fiveport Gigabit switchfeaturingDIN rail mounts, compact designand industrial grade resilience. Designed for applications in electric power, transportation, industrial control and other severe industrial environments, The ISE5005D integrates a wide temperature range, high voltage tolerance, enterprise-class forwarding performance, high-bandwidth, strong cabinet, protected circuits and other industrial features. The ISE5005 is the defining compact industrial switch.

Product Features

➤ Proven dependable industrial quality

- Fault-free and reliable operation in applications such as: electric power stations, transportation, industrial control environments, and SCADA systems.
- Excellent electromagnetic/radiation/electrostatic protection capacity and zero packet loss under intensive electromagnetic interference
- Excellent EMC/EMI and anti-radiation performance
- Real industrial-class design, with working temperatures at -40~85°C
- Redundant power input and industrial-class surge protections

- ☑ Tough metal cabinet with corrosion-proof coating
- ☑ IP40 seal protection: dust proof, stain proof and debris proof

☞ **Simple and easy to use**

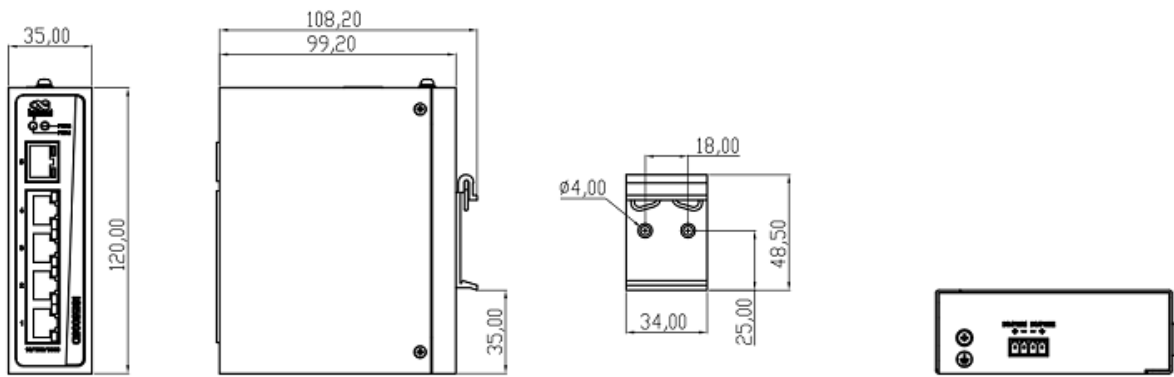
- ☑ Plug-and-play functionality for rapid deployment
- ☑ Linear data forwarding to ensure real time performance
- ☑ Compatible with industrial DIN-rails or available with an optional wall-mounting kit
- ☑ Supports IEEE 802.3x flow control and backpressure type flow controls to guarantee data integrity
- ☑ Latency under 3µs, satisfying the real time performance requirements of a production environment
- ☑ Open port flow control functionality ensures data is forwarded
- ☑ By default 10240 Byte “jumbo” frame forwarding is enabled to satisfy the requirements of high-performance gigabit networks.

Product Specification

Item		ISE5005D
Interface	RJ45 port	10/100/1000Base-T(X) self-adaptive RJ45 port
	LED indication	PWR1,PWR2
Mechanical structure	Housing	IP40 class protection, fully enclosed seamless metal cabinet PCB protection coating
	Dimensions	35mm* 120mm *100mm
	Weight	0.6 kg
	Heat dissipation mode	Fan-less heat dissipation
	Installation mode	DIN-rail, with optional wall mounting bracket
	MTBF	35 years
Power source	Input voltage	24VDC(12~48VDC), supporting redundant input
	Interface terminal	4-pin pluggable screw connection terminal
	Overload protection	Available
	Reverse polarity protection	Available
	Power consumption	<2.4W

Item		ISE5005D
Working environment	Working temperature	-40 ~ +85 °C
	Storage temperature	-40 ~ +85 °C
	Relative humidity	5%~95% (non-condensing)
Switching performance	Forwarding inherent time delay	<3μs
	Backplane bandwidth	10Gbps
	Data package buffer	1Mbit
Function features	Ethernet standard	IEEE 802.3 for 10Base-T(x)
		IEEE 802.3u for 100Base-T(x)and 100Base-FX
		IEEE 802.3x for flow control
		IEEE 802.3ab for 1000BaseT(x)
	The giant frame forwarding	Default enabled 10240 Byte frame forwarding
Industrial standard	Electromagnetic compatibility	ESD Electrostatic Discharge Immunity: EN61000-4-2,Level 3
		RFI Radio Frequency Immunity: EN61000-4-3,level 3
		EFT Electrical Fast Transient/Burst Immunity: EN61000-4-4,Level 3
		Surge Immunity: EN61000-4-5, level 3
		Immunity to Conducted Disturbances: EN61000-4-6, Level 3
		Damped Oscillator Immunity:EN61000-4-12, Level 3
	Shock Test	IEC60068-2-27
	Freefall	IEC60068-2-32
	Vibration	IEC60068-2-6
Certifications		CE, UL
Warranty		5 years

Dimensions (mm)



DIN-rail mounting diagram

Ordering Information

Product Model	Product Description
ISE5005D-5GT-24	5 - 10/100/1000Base-T(x) Ports, 24VDC Power source

InHand Networks

InHand Networks provides reliable, secured and intelligent M2M solution for electric power, industrial automation, commercial and medical devices. Recognized by world class customers and partners. Proven by a large install base. Pushing M2M forward with deep investments in research and development. Enduring for long-term support.

InHand Networks has become a global leader in industrial grade network technology by providing industrial cellular routers, industrial Ethernet switches, wireless sensor network devices and cloud based M2M platforms.

Connecting devices, enabling services.



InHand Networks

3900 Jermantown Rd., Suite 150
Fairfax, VA 22030
USA
T: +1-703-348-2988
F: +1-703-348-2988
info@inhandnetworks.com
www.inhandnetworks.com