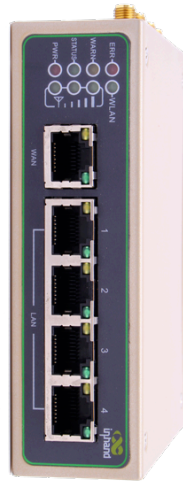


InRouter615-S Series

4G LTE, 3G, Wi-Fi, VPN Industrial Router



Overview

Integrating 3G, 4G LTE and advanced security, the InRouter615-S series is the next generation of InRouter695 cellular router. With embedded hardware watchdog, link detection, auto-recovery and auto-reboot, the InRouter615-S series provides reliable communications to unattended sites. Reliable VPN technology secures sensitive data. The InRouter615-S also utilizes remote management tools such as a CLI, a web interface and InHand *Device Manager* Cloud platform for batch configuration and monitoring.

InRouter615-S series is ideal for large-scale Internet of Things (IoT) applications including kiosks, vending machines, medical equipment and industrial control systems.

Features

Uninterrupted Network Access

Optional 4G/LTE CAT4/CAT1, 3G/HSPA+, 3G/EV-DO,

Cat 4 (150Mbps DL, 50Mbps UL)

Cat 1 (10 Mbit/s DL, 5 Mbit/s UL)

- Automatically fall back to GPRS/CDMA when LTE is unavailable.
- Wi-Fi Access Point or Client: 802.11b/g/n with MIMO antennas, speed up to 300Mbps; WEP/WPA/WPA2 encryption
- 3G/4G and Wi-Fi backup for redundant communication

Rugged Industrial Design

- Metal housing, IP30
- EMC levels 3

- 1.5KVisolated Ethernet port
- Wide temperature range: -20~70 °C
- Wide input voltage range: 9~26VDC

Data Security

- **Data Transmission Security**
IPsec VPN, L2TP, PPTP, SSL VPNand certificates guarantee data security
- **Network Security**
Stateful Packet Inspection (SPI), Secure Shell(SSH) and DoS mitigation
Intrusion protection, and IP to MAC Binding
- **Management-Plane Security**
Multi-level user authority
Administrative permission management

Reliable Cellular

- **Automatic Link Detection**
PPP Layer Detection: monitor the cellular connection, keep alive
Network Connection Detection: automatic redial and reboot
VPN Tunnel Detection: ruggedized and improved VPN tunnels
- **Auto-recovery**
Embedded hardware watchdog, able to automatically recover from various failure, ensure highest level of availability.
- **ALink redundancy design**
Dual SIM card design, backup between different mobile operators to ensure networks availability and bargaining power on data plan.
support VRRP hot backup, support cable /LTE/WIFI link backup

Remote Management

- Local Web-Brower Interface
- Command-line interface
- InHand*Device Manager* for batch management and configuration

Industrial Serial

- Transparent serial communication for point to multi-point serial over cellular.
- Modbus TCP to Modbus RTU protocol conversion

Specifications

InRouter615-S Software Specification

		InRouter615-S
Network	Network Access	Custom APN, VPDN
	Authentication	CHAP/PAP
	Network	GSM/GPRS/EDGE

		InRouter615-S	
		(GPRS/EDGE: Multislot Class 12) UMTS/HSPA+/EVDO/TD-SCDMA/ TD-LTE/FDD LTE (See the detailed band in ordering table)	
	LAN	ARP, Ethernet	
	WAN	Static IP, DHCP, PPPoE, PPP	
	IP	Ping, Trace, DHCP Server, DHCP Relay, DHCP Client, DNS relay, DDNS and Telnet	
	IP Routing	Static routing	
	NAT	Network Address Translation	
WLAN (optional)	Standard	IEEE 802.11b/g/n	
	Mode	AP, Client	
	Speed	300Mbps	
	Security		Support open system, shared keys, WPA/WPA2
			WEP/TKIP/AES encryption
Transmission Distance	100meters (depend on field environments)		
Security	Network Security	DoS protection, Stateless Packet Inspection, Filtering Multicast/Ping package, Virtual IP Mapping, Access Control List (ACL), IP/MAC Binding, Port forwarding	
	Data Security	IPsec VPN/L2TP/PPTP/GRE/OpenVPN/CA	
	Management Security	Multi-level user authority	
Reliability	Link Status Detection	Reconnects automatically when a link failure is detected	
	Auto-Recovery	Hardware Watchdog	
Intelligence	Integrated DTU Functions	Support Modbus protocol, virtual serial port(TCP Server), WP agreement, WN protocol, Trap+Poll, TCP/UDP transparent transmission	
Management & Maintenance	Traffic Management	Bandwidth control, IP-based QoS	
	Configuration	Telnet, web, SSH	
	Firmware Upgrade	Via web, andvia InHand Device Manager	
	Log	Local log, remote log, export log via serial port; Important log backup in flash memory	
	On-Demand Dial Up	Trigger by data, text message or on demand	
	Network Management	InHand Device Manager for batch configuration	
	Multi-level user	Authentication for configuration and remote access	

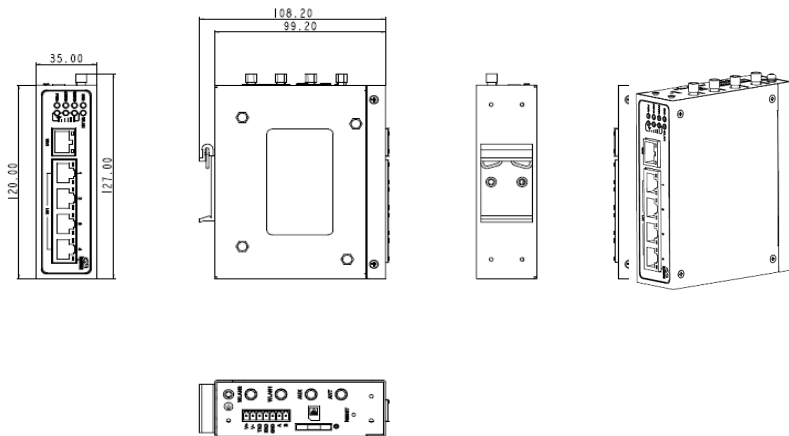
		InRouter615-S
	Maintenance Tool	Ping,traceroute, speed test
	Status Check	System, modem, network connections, route

InRouter615-S Hardware Specification

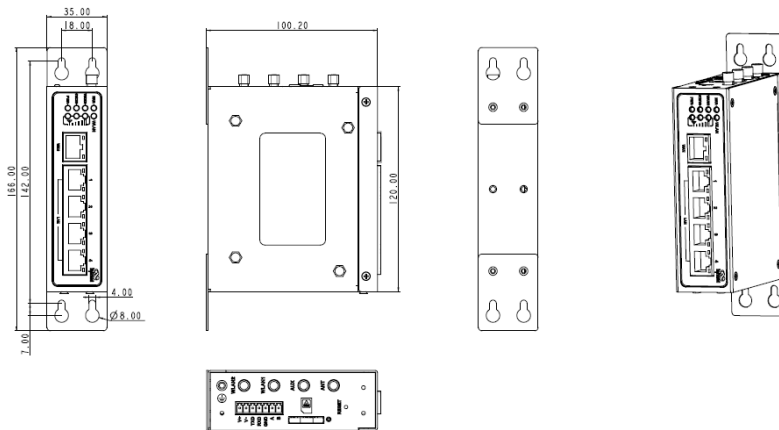
		InRouter615-S
Interface	Ethernet Port	1*10/100Mbps, WAN; 4*10/100Mbps, LAN; 1.5KV isolated protection Full Duplex or Half Duplex RJ-45 type connector
	Power Supply	DC9-26V Polarity Dependant,Reverse Polarity Protection
	Serial Port	1* serial port (RS-232/RS-485) 15KV ESD protection
	SIM Holder	Drawer Card Holder x1 Optional: Drawer Card Holder x2 Operating Voltage:3.0V/1.8V
	Reset	Pinhole Reset Button
	Antenna Connector	3G/4G:SMA x 2, WLAN: RP-SMA x 2
Mechanical Features	Dimension (mm)	127x108.2x35
	Installation	Standard DIN-rail Wall/Hanger mounting optional *Please consult with sales if you want optional
	Housing	Metal
	Protection Level	IP30
	Cooling	No Fan
Power Consumption	Standby	120mA-200mA@12V
	Operating	150mA-320mA@12V
	Peak	320mA@12V
Wi-Fi Transmit Power	Transmit Power	802.11b:16dBm +/-2dBm(11Mbps) 802.11g:16dBm +/-2dBm(54Mbps) 802.11n@2.4GHz:16dBm +/-2dBm (HT20 MCS7) 802.11n@2.4GHz:16dBm +/-2dBm (HT40 MCS7)
Environment Temperature	Humidity	5~95% relative humidity (noncondensing)
	Storage Temp	-40~85°C
	Working Temp	-20~70°C
LED Indicators	POWER, STATUS, WARN, ERROR, Wi-Fi, SIM, three Levels of Cellular Signal Strength	
EMC	Electrostatic Discharge Immunity	EN61000-4-2, level3

		InRouter615-S
	RFI Radio Frequency Immunity	EN61000-4-3,level 3
	Electrical Fast Transient/Burst Immunity	EN61000-4-4, level3
	Surge	EN61000-4-5, level3
	Immunity to Conducted Disturbances	EN61000-4-6,level 3
	Shockwave Immunity	EN61000-4-12, level3
Certification	CE(EMC&LVD&RF&Temperature)、FCC、 PTCRB、 IC、 IMDA	
Warranty	3 years	

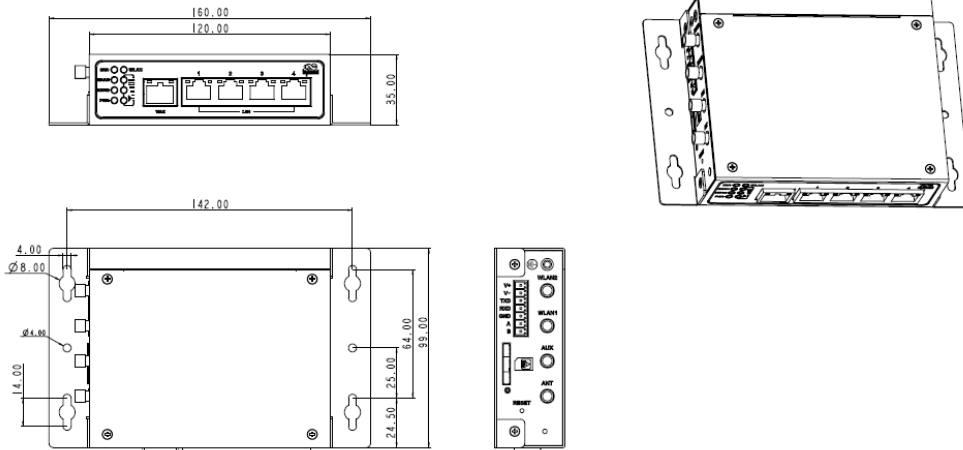
Dimensions



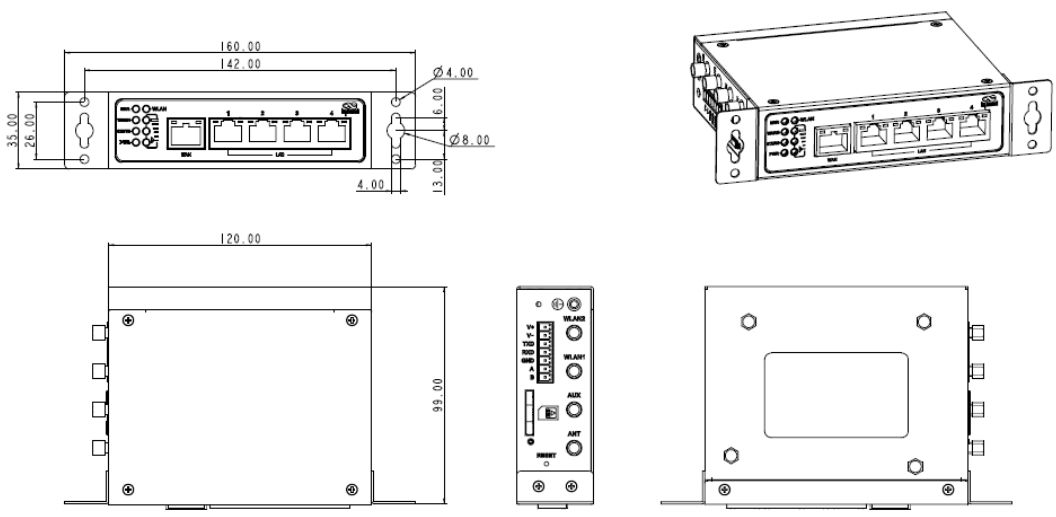
DIN-Rail Mounting



Wall Mounting-a



Wall Mounting-b



Hanger Mounting

Ordering Information

InRouter615-S		
Part Number	InRouter615-S-<N>-<WLAN>-<DS>	
N (Network)	U: UMTS(HSPA+); V: EVDO; L: LTE-FDD;L3: LTE-FDD/UMTS/GPRS; L5: LTE-FDD/LTE-TDD/TD-SCDMA/UMTS/GPRS; L7: LTE-FDD/LTE-TDD/TD-SCDMA/UMTS/EVDO/CDMA-1x/GPRS;	
	U/30108: (Global) UMTS(HSPA+) Band1/2/5/8 (850/900/1900/2100MHz) EDGE/GPRS/GSM 850/900/1800/1900MHz	3G
	U/30207: (For China, Asia and Europe) UMTS(HSPA) Band1/8 (900/2100MHz) EDGE/GPRS/GSM 850/900/1800/1900MHz	
	V/40214: (For China Telecom only) EVDO 800MHz CDMA 1x 800MHz	
	V/40115: (For Verizon Wireless in USA) EVDO and CDMA 1x	
	L5/60218: (For China) LTE-FDD CAT 4 Band 1/3/8 LTE-TDD CAT 4 Band 38/39/40/41 TD-SCDMA Band 34/39 UMTS(DC-HSPA+) Band 1/5/8/9 EDGE/GPRS/GSM 900/1800MHz	4G
	L7/60522: (For China) LTE-FDD CAT 4 Band 1/3/5/7/8 LTE-TDD CAT 4 Band 38/39/40/41 TD-SCDMA Band 34/39 UMTS (DC-HSPA+) Band 1 EVDO 800MHz CDMA 1x 800MHz EDGE/GPRS/GSM 850/900/1800/1900MHz	
	L3/60123: (For Europe) LTE-FDD CAT 3 Band 1/3/7/8/20 UMTS(HSPA+) Band 1/3/8 EDGE/GPRS/GSM 900/1800MHz	

	<p>L3/60220: (For Europe & APAC) LTE-FDD CAT 4 Band 1/2/3/4/5/7/8/20 UMTS(DC-HSPA+) Band1/2/5/8 EDGE/GPRS/GSM 850/900/1800/1900MHz</p> <p>FB78: (For Australia & South America) LTE-FDD CAT4 Band 1/3/5/7/8/28 UMTS(DC-HSPA+)850, 900, 1900, 2100</p> <p>FB53: (For Europe) LTE-FDD CAT1 Band 3/7/20 EDGE/GPRS/GSM 900/1800/MHz</p> <p>FB63: (For APAC) LTE-FDD CAT1 Band 3/8/28 UMTS(DC-HSPA+) 2100</p> <p>FS18: (For North America, AT&T, T-Mobile) LTE-FDD CAT 3 Band2/4/5/17 UMTS(DC-HSPA+) Band2/4/5 EDGE/GPRS/GSM 850/900/1800/1900MHz</p> <p>FS28: (For USA, Verizon Wireless) LTE-FDD CAT 3 Band2/4/13</p> <p>FB38: (For North America, Verizon Wireless) LTE-FDD CAT 4 Band 2/4/5/13/17 UMTS(DC-HSPA+) Band2/5</p> <p>FB13: (For North America, AT&T) LTE-FDD CAT1 Band2/4/12</p> <p>FB23: (For USA, Verizon Wireless) LTE-FDD CAT 1 Band4/13</p>	
	EN00	No cellular module
WLAN(Wi-Fi)	<NA>: no Wi-Fi WLAN: Wi-Fi AP&Client	
DS	Part model Support double SIM card, for example: U/30108, L3/60220, FB53, L7/60522, L5/60218	
Example	InRouter615-S-L5-WLAN: 5 ETH ports, support IPsec/PPTP/L2TP/OPEN VPN, LTE-FDD/LTE-TDD/TD-SCDMA/UMTS/GPRS,Wi-Fi AP&Client, RS-232 or RS-485	

InHand Networks

InHand Networks provides reliable, secured and intelligent M2M solution for electric power, industrial automation, commercial and medical devices. Recognized by world class customers and partners; Proven by a large install base; Expanding with intensive investments in research and development. Enduring for long-term support.

InHand Networks has become leader in industrial grade network technology by providing industrial cellular routers, industrial Ethernet switches, wireless sensor network devices and cloud based M2M platforms.

Connecting devices, enabling services.



InHand Networks

3900 Jermantown Rd., Suite 150

Fairfax, VA 22030

USA

T: +1-703-348-2988

F: +1-703-348-2988

info@inhandnetworks.com

www.inhandnetworks.com