



Industrial Design, Low Power Consumption, High Reliability

InPad070WP

7" All-in-one Android Tablet

ARM-based processor, combined with the Android operating system, brings a new solution to device manufacturers who emphasize video and image processing effect. The InPad070WP series 7-inch touch screen all-in-one integrates Freescale Cortex-A9 processor i.MX6S and Android operating system, provided a lower power and less heating solution for device manufacturers, especially video ad player manufacturers that used to have to rely on the X86-based computing platform. With OpenGL ES2.0 and OpenVG™ 1.1 hardware accelerators and full HD 1080P video codec hardware engine, the InPad070WP can deliver fast and smooth video experiences for media playback devices.

The InPad070WP supports 3G/4G cellular networks, whether it is for updating media contents or remote communications, the device is "always online". The product has rich peripheral interfaces, including multiple serial ports and USB ports, to connect a wide range of peripherals such as scanner, printer, ID card reader, traffic card reader, POS machine, infrared touch screen, camera, mouse, LCD screen, etc.

The product is ruggedized to withstand environmental challenges, supporting DC 12V input and wide operating temperatures. It also provides a variety of APIs for reading of the hardware data to facilitate further development by device manufacturers.

- Smart retrofit of vending machines
- Self checkout terminals
- Unmanned supermarkets
- Advertising machines
- Self top-up
- Agricultural terminals

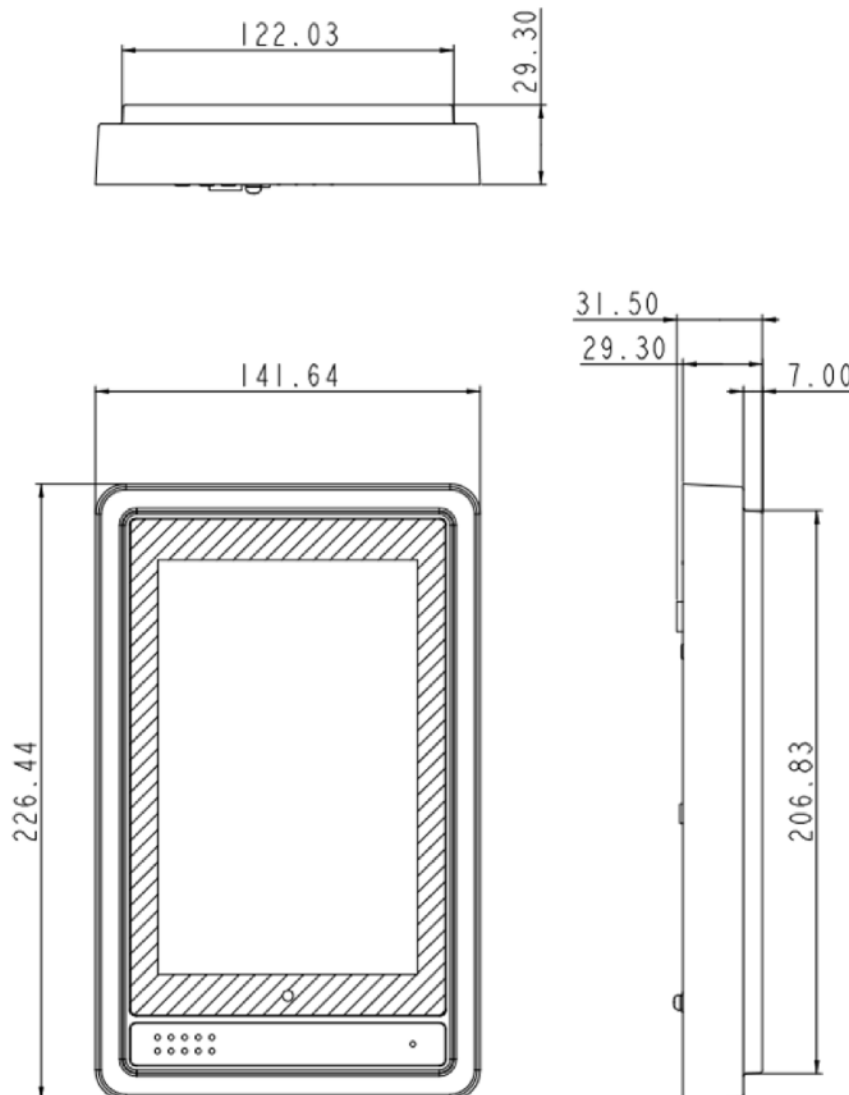
Application Case



Features and Advantages

- + 4G network supported
 - + Low power consumption, fan-less design
 - + Full HD 1080P video codec for great video experience
 - + Strong computing capabilities
 - + All industrial-grade design, regardless of harsh environments
 - + InVending cloud platform
 - + Operation on mobile apps
 - + Easy retrofit for cashless payment
- **Omnipresent and uninterrupted Internet access**
Available with 3G and 4G networks, the InPad070WP enables continuous and reliable communications. Get your devices connected whether in busy commercial centers or less traveled areas.
 - **Device management platform enables you to view machine status anytime anywhere**
InHand's smart vending platform enables you to remotely view the status of your machine in real time, helps manufacturers to remotely manage their machines. Deployed on the webpage and mobile app, the platform makes it easy to manage and operate your machines anytime anywhere.
 - **Smart platform based on big data**
Analysis of massive data assists in business decision making. Through real time data analysis, the platform provides business with efficient and relevant information.

Dimensions (mm)



Product Specifications

InPad070WP Hardware Specifications			
Item	InPad070WP		
Hardware Platform			
CPU	Freescale i.MX6S Cortex-A9		
DRAM	DDR3 1 GB		
FLASH	8GB		
Display Screen	7-inch display screen (resolution: 1280*800)		
Touchscreen	TFT screen		
Interfaces			
SIM Card Slot	SIM card slot * 1		
3G/4G Antenna Interface	SMA interface x 1		
Serial Port	RS232 serial ports * 4, 232 level, white 3-pin socket		
USB Port	USB TYPE A port * 2		
	ADB TYPE B port * 1 for device debugging		
Power Interface	DC-input, 9~36VDC, white 3-pin power interface		
On/Off Button	Power * 1	Other Buttons	Mode * 1
Volume + Button	Volume + * 1	Volume - Button	Volume - * 1
Upgraded Interface (-W)			
Wi-Fi Antenna Interface (Optional)	RP-SMA interface * 1, 802.11b/g/n, Client/AP mode supported		
Indicators			
Power Indicator	Indicator of power supply		
Status Indicator	Indicator of operation status, flashes when operating normally		
3G/4G Indicator	Indicator of network connection, on when connected		
Wi-Fi Indicator	Indicator of Wi-Fi connection, on when connected		
Mechanical Features			
Cooling	Fan-less cooling		
Dimensions (cm)	226.44mm * 141.64mm * 29.3mm		
Power Supply			
Input	DC-input, 9~36VDC		
Ambient Temperature and Humidity			
Storage Temperature	-40°C ~ 85°C	Ambient Humidity	5 ~ 95% (non-condensing)
Operating Temperature	-10°C ~ 50°C		
Other			
Watchdog	Supported		

InPad070WP Software Specifications	
Item	InPad070WP
Software Support	
Operating System	Android 4.2.2, Android 6.0 (Optional)
Application Software	Applications compatible with Android OS
	Supports APIs including remote update and silent installation
Network Functions	
Network Type	4G full netcom
Graphic Processing	
2D/3D Accelerator	OpenVG 1.1 for 2D; OpenGL ES 2.0 for 3D
Video Codec	H.264 HP, MPEG4 ASP, MPEG2 MP
Image Processing	BMP, JPG, PNG, GIF
Configuration Functions	
Configuration	Configuration software provided
Timed On/Off	Enabled

Ordering Guide

Model code: InPad070WP-<WMNN>-<STD/PLAT>-<NA/M>			
Model	<WMNN>: Cellular Type & Module	<STD/PLAT>	<NA/M>
InPad070WP-FH09-STD	For APAC & Europe: LTE-FDD Band 1/2/3/4/5/7/8/20 UMTS(DC-HSPA+) Band1/2/5/8 EDGE/GPRS/GSM 850/900/1800/1900MHz	STD: Standard Android version	
InPad070WP-FH09-PLAT	For APAC & Europe: LTE-FDD Band 1/2/3/4/5/7/8/20 UMTS(DC-HSPA+) Band1/2/5/8 EDGE/GPRS/GSM 850/900/1800/1900MHz	PLAT: Supports the InVending Cloud and vending software	
InPad070WP-FH09-STD-M	For APAC & Europe: LTE-FDD Band 1/2/3/4/5/7/8/20 UMTS(DC-HSPA+) Band1/2/5/8 EDGE/GPRS/GSM 850/900/1800/1900MHz	STD: Standard Android version	M: Standard Android 6.0

About Us

InHand Networks is a global leader of Industrial IoT, with a record of tremendous success following groundbreaking innovation since our inception in 2001.

InHand serves world-class partners and customers with industrial M2M routers, gateways, industrial Ethernet switches, rugged computers and IoT management platforms. We provide IoT solutions for various vertical markets including Smart Grid, Industrial Automation, Remote Machine Monitoring, Smart Vending, Smart City, Retail and more.

Proudly bearing the marks of AWS Select Technology Partner, Schneider Electric TPP Certified Technology Partner, and Rockwell Automation Encompass Product Partner in Asia-Pacific, InHand Networks defines industrial innovation and reliability.



3900 Jermantown Rd., Suite 150, Fairfax, VA 22030 USA
 T: +1 (703) 348-2988
 E: info@inhandnetworks.com
www.inhandnetworks.com